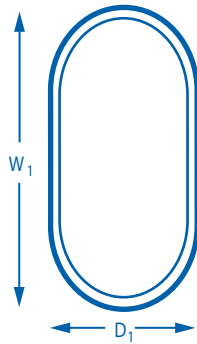
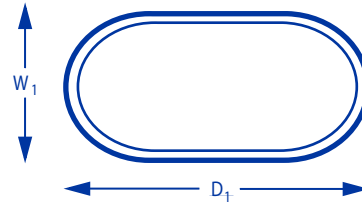




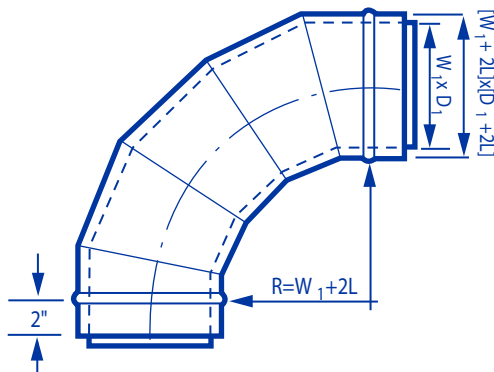
Hard Bend



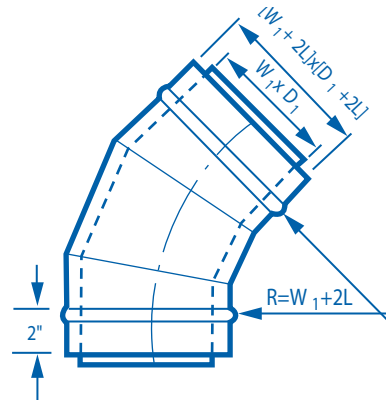
Easy Bend



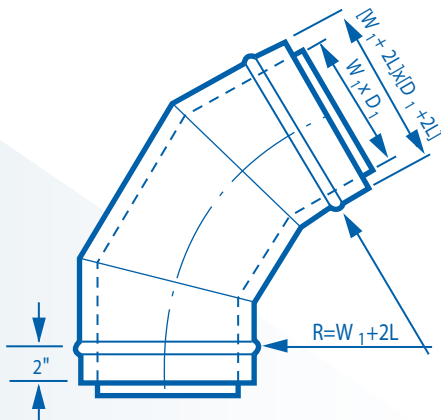
90° 5-Piece Elbow



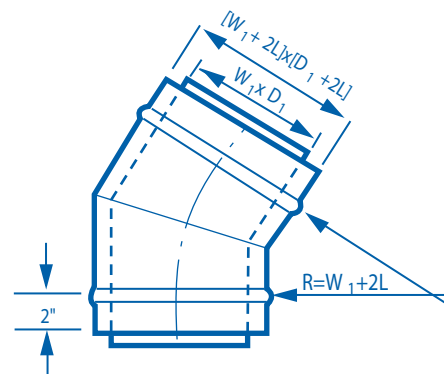
45° 3-Piece Elbow



60° 3-Piece Elbow

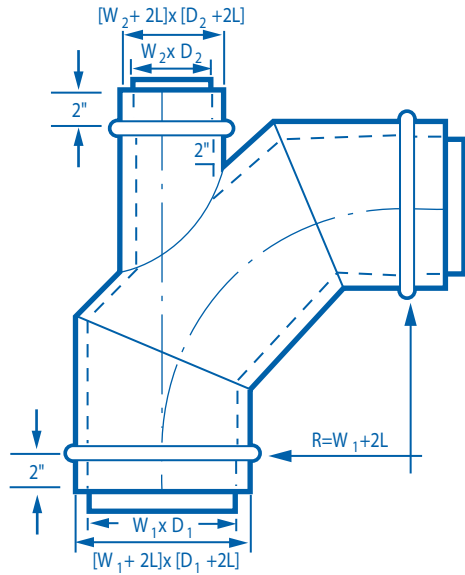


22½° and 30° 2-Piece Elbow

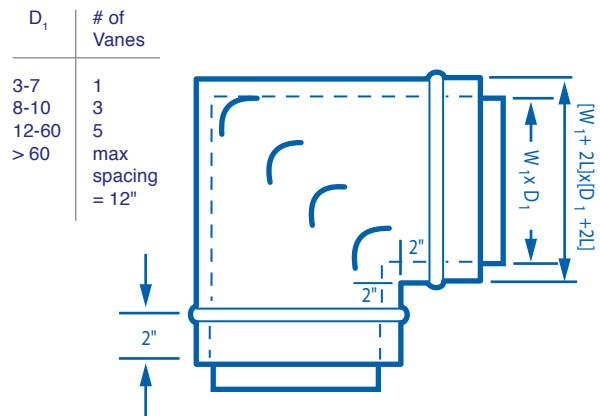


L = Liner thickness

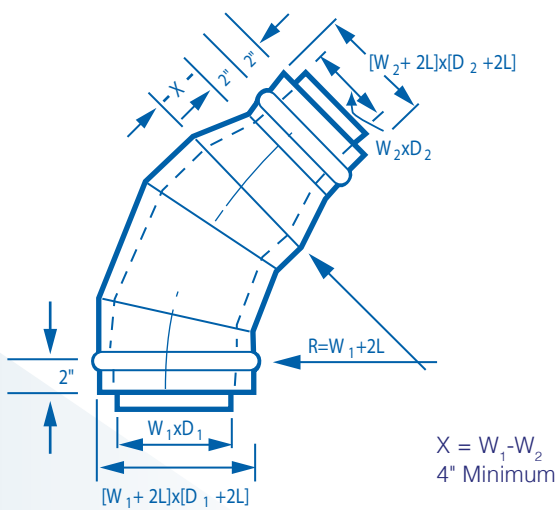
90° 3-Piece Elbow with Heel Tap



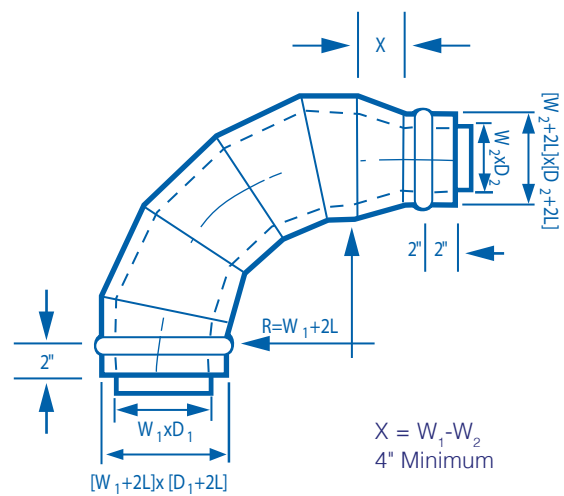
90° 2-Piece Mitered Elbow With or without vanes



45° 3-Piece Elbow with Reducer



90° 5-Piece Elbow with Reducer

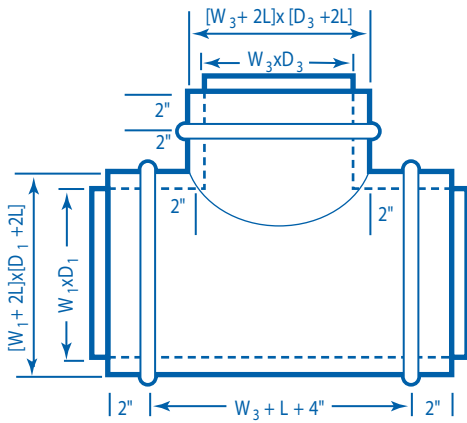


L = Liner thickness

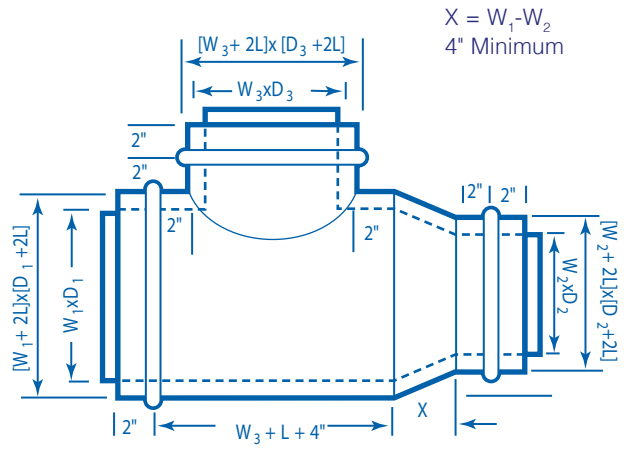


Straight Tees

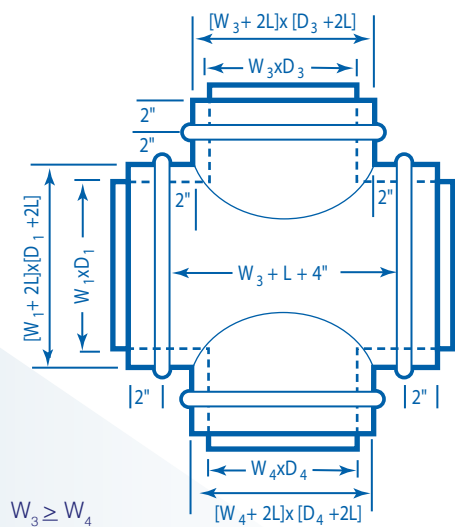
Tee



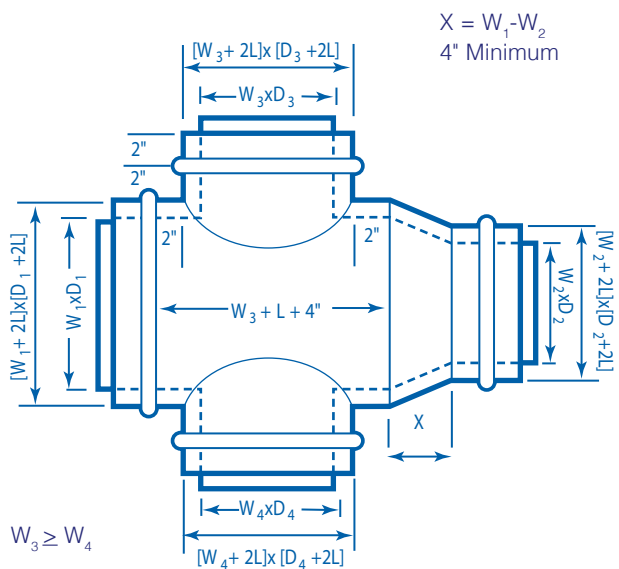
Reducing Tee



Cross Tee



Reducing Cross Tee

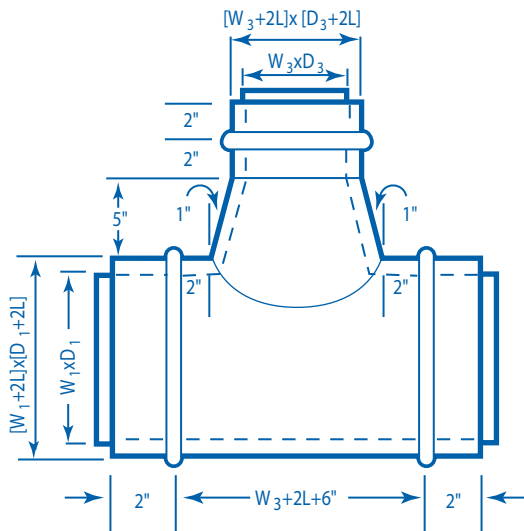


L = Liner thickness

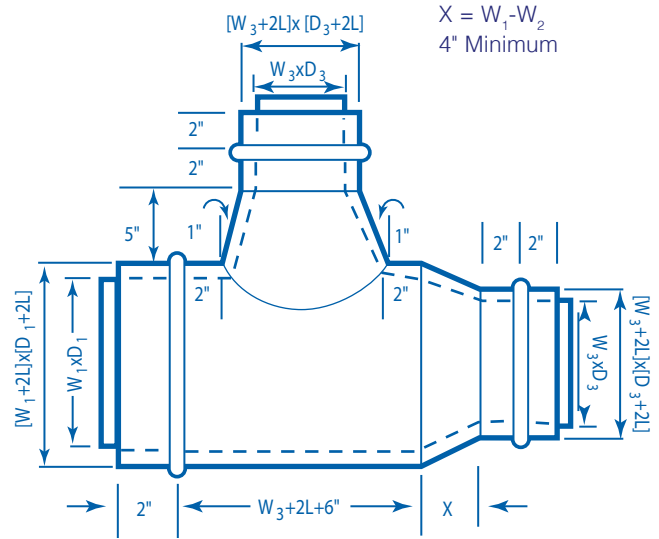


Conical Tees

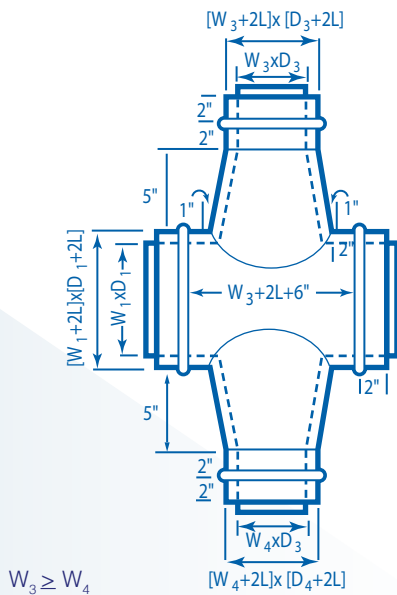
Combination Tee



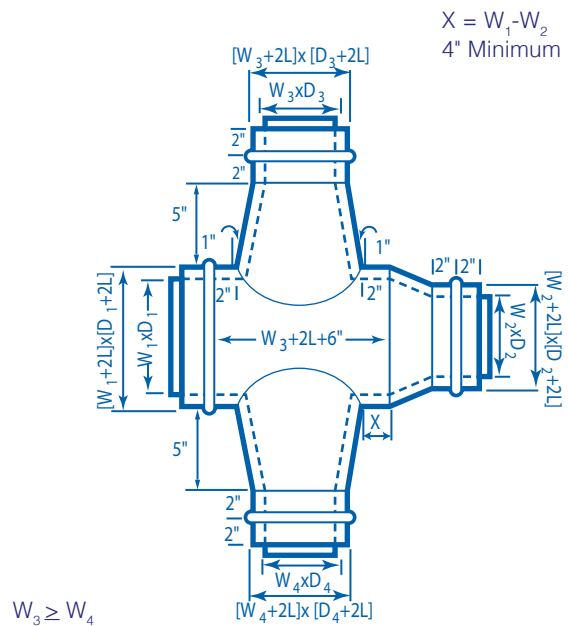
Reducing Conical Tee



Conical Cross



Reducing Conical Cross

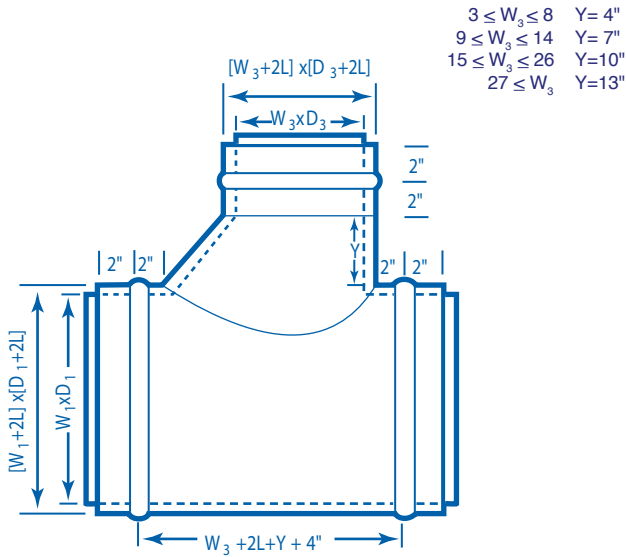


L = Liner thickness

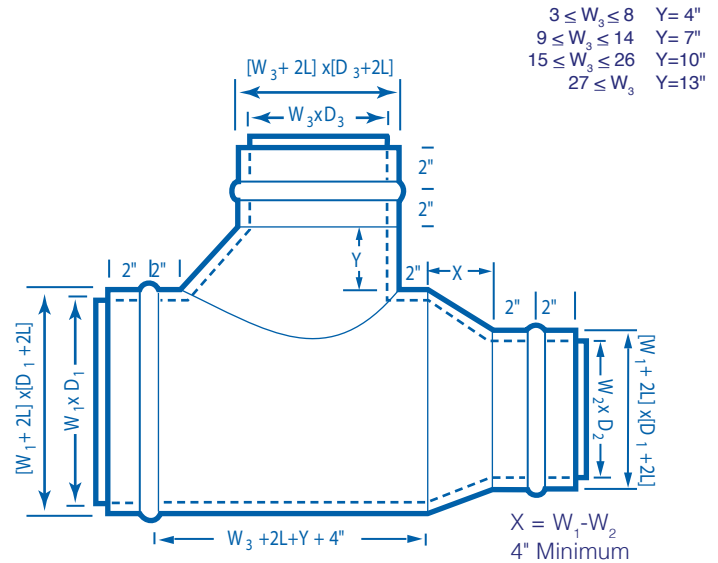


Combination Tees

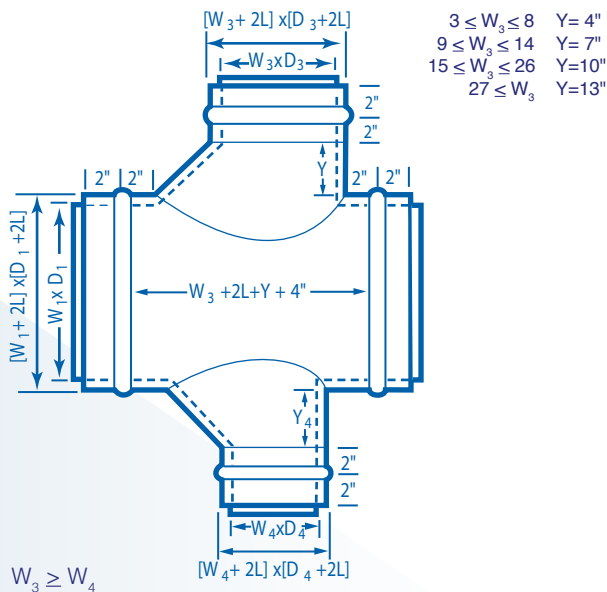
Combination Tee



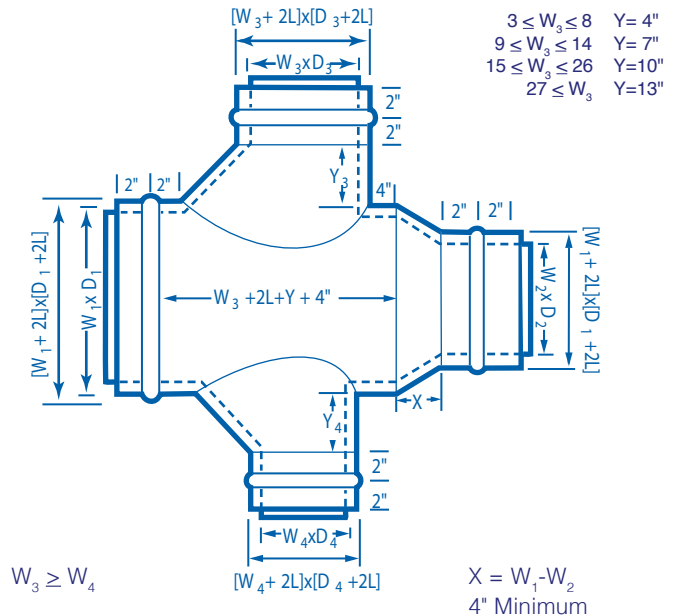
Reducing Combination Tee



Combination Cross



Reducing Combination Cross

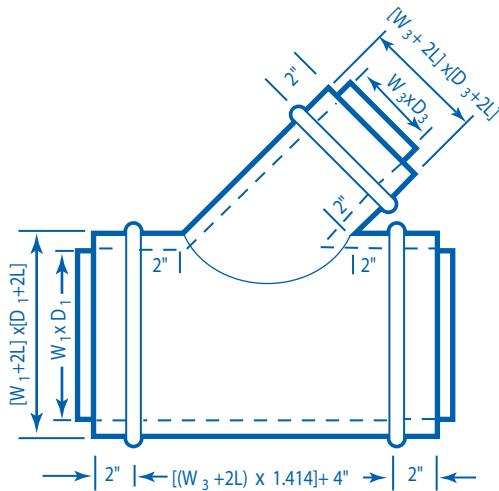


L = Liner thickness

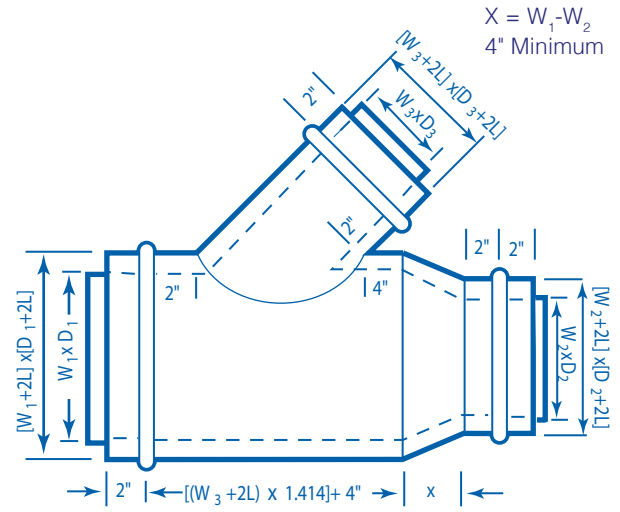


Straight Laterals

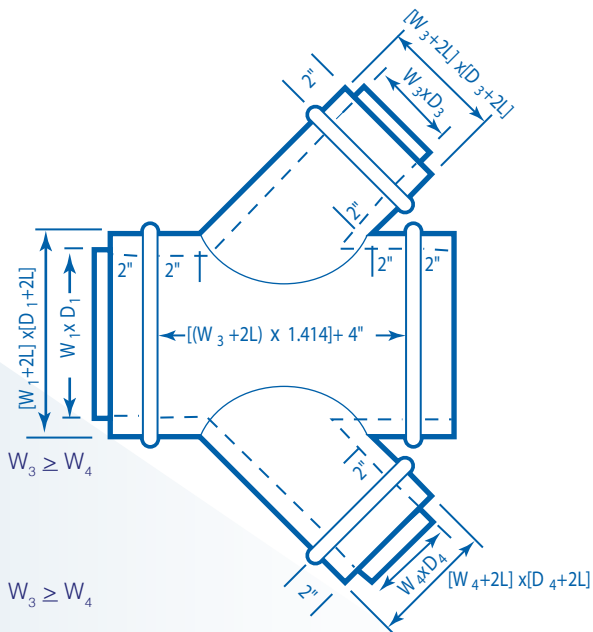
Lateral 45°



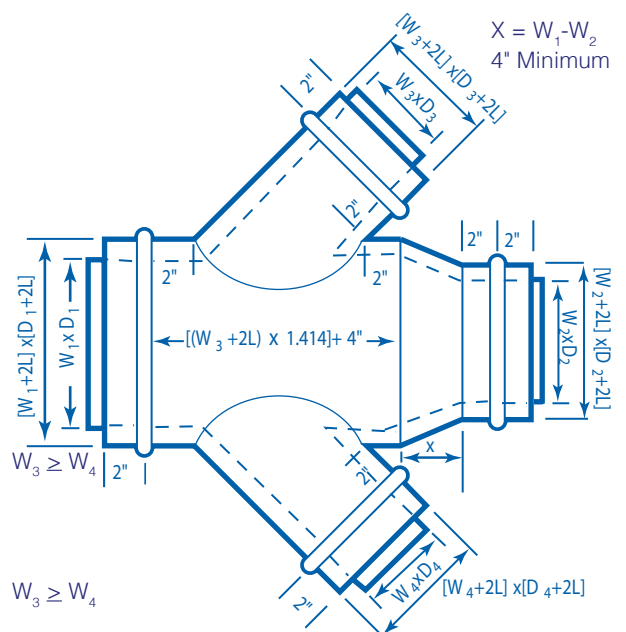
Reducing Lateral 45°



Lateral Cross 45°



Reducing 45° Lateral Cross

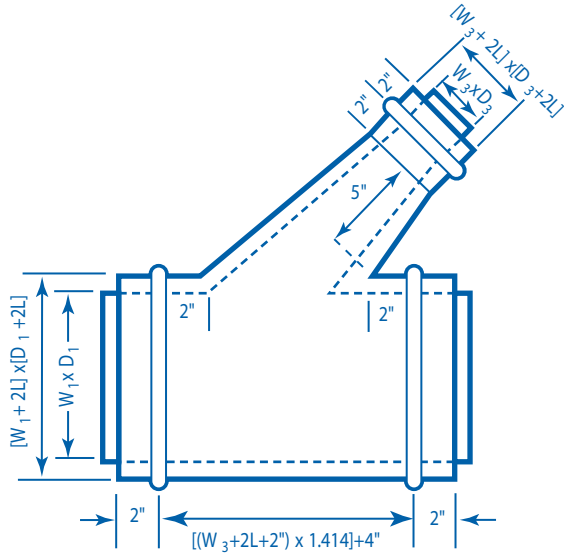


L = Liner thickness

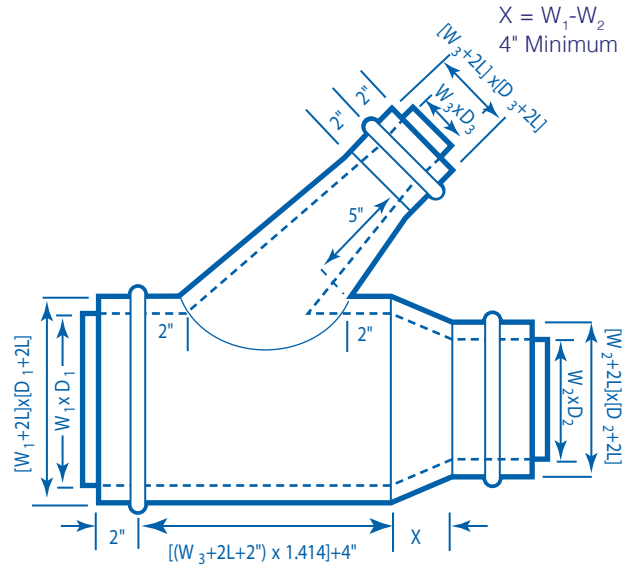


Conical Laterals

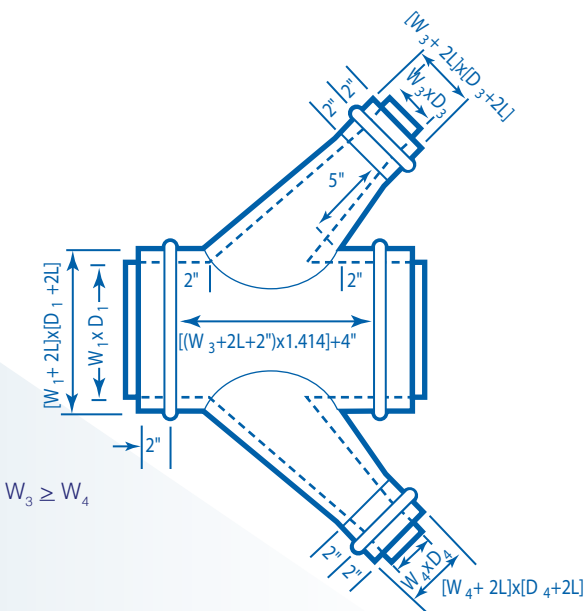
Conical Lateral 45°



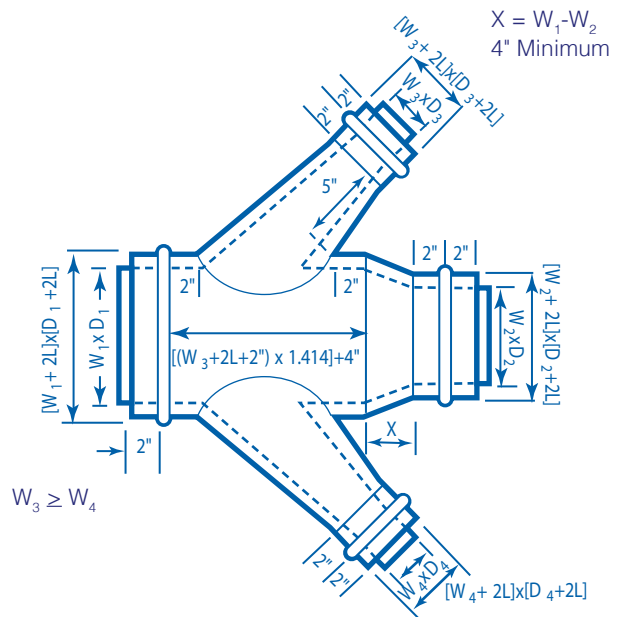
Reducing Conical Lateral 45°



Conical Lateral 45° Cross



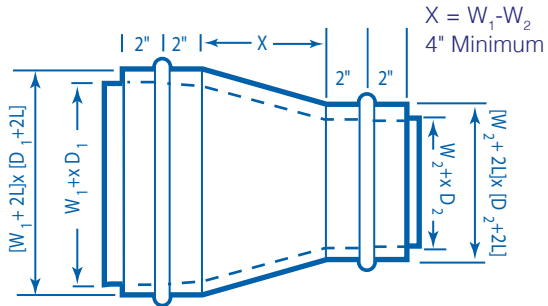
Reducing Conical 45° Lateral Cross



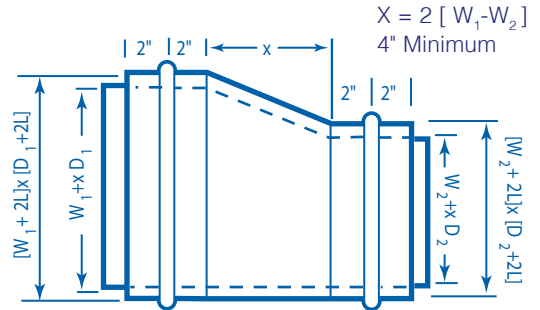
L = Liner thickness



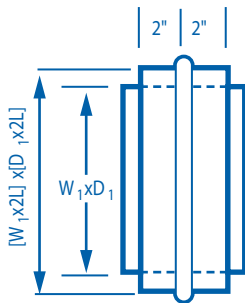
Concentric Reducer



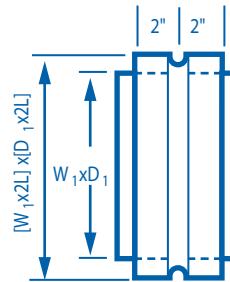
Eccentric Reducer



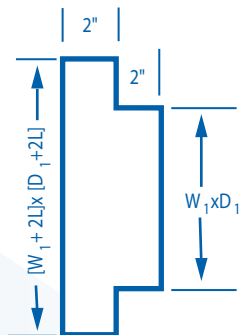
Pipe Couplings



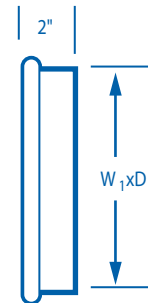
Fitting Couplings



Spun End Cap



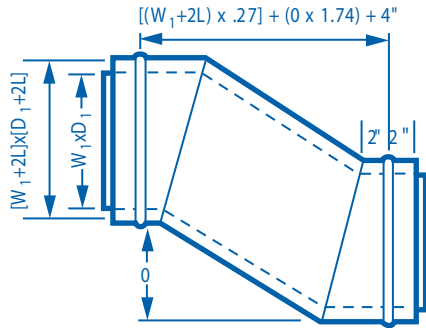
End Cap



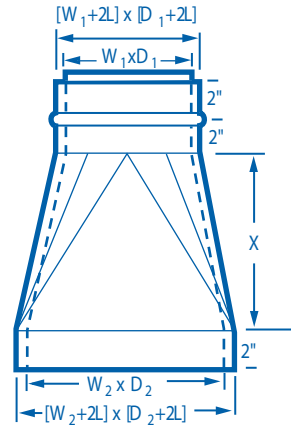
L = Liner thickness



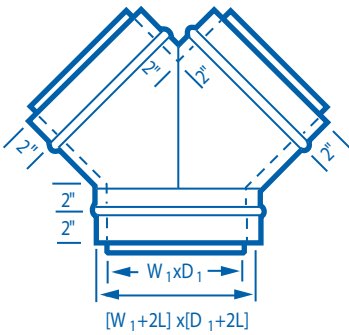
30° Offset



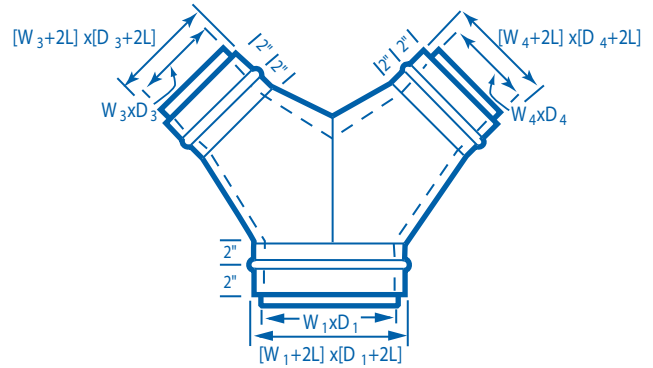
Rectangle to Oval



Wye Branch

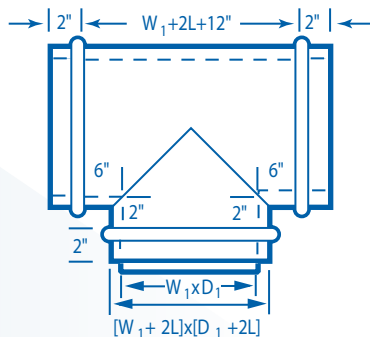


Reducing Wye Branch



Bullhead Tee

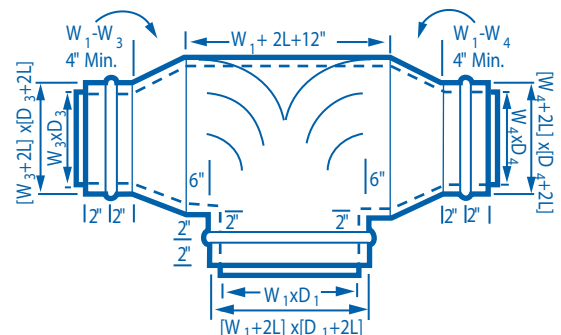
With or without vanes



W ₁	# of Vanes
3-7	1
8-10	3
12-60	5
> 60	max spacing = 12"

Reducing Bullhead Tee

With or without vanes



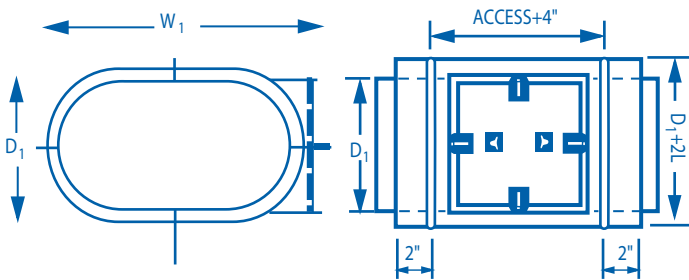
W ₁	# of Vanes
3-7	1
8-10	3
12-60	5
> 60	max spacing = 12"

L = Liner thickness



Rectangular Access Section

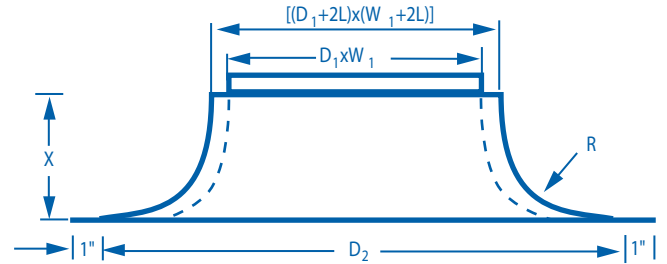
Also available as shop-installed SRTA or field-installed accessory FRTA.



D ₁	Access Size
8" to 12"	8" x 8"
13" to 17"	12" x 12"
18" and over	18" x 18"

Negative and positive pressure.

Spun Bellmouth

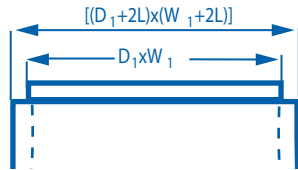


D ₁	D ₂	L	R	D ₁	D ₂	L
13"	19"	4"	3"	12"	14"	3½"
14"	21"	4"	3"	14"	16"	3½"
15"	24"	5"	4"	16"	18"	3½"
16"	26"	5"	4"	18"	20"	3½"
17"	25"	5"	4"	20"	22"	3½"
18"	26"	5"	4"	22"	24"	3½"
20"	28"	5"	4"	24"	26"	3½"
21"	29"	5"	4"	26"	28"	3½"
22"	32"	6"	5"	28"	30"	3½"
23"	33"	6"	5"	30"	32"	3½"
24"	34"	6"	5"	32"	34"	3½"
26"	38"	7"	6"	34"	36"	3½"
28"	40"	7"	6"	36"	38"	3½"
30"	42"	7"	6"	38"	40"	3½"
32"	46"	8"	7"	40"	42"	3½"
34"	48"	8"	7"	42"	44"	3½"
36"	50"	8"	7"	44"	46"	3½"
38"	52"	8"	7"	46"	48"	3½"
40"	56"	9"	8"	48"	40"	3½"
42"	58"	9"	8"	50"	52"	3½"
44"	60"	9"	8"	52"	54"	3½"
46"	62"	9"	8"	54"	56"	3½"
48"	64"	9"	8"	56"	58"	3½"
				58"	60"	3½"
				60"	62"	3½"

Pressed Bellmouth

Galvanized only

D ₁	R
4"	.394"
5"	.472"
6"	.787"
7"	1.0"
8"	1.0"
9"	1.0"
10"	1.0"
12"	1.0"



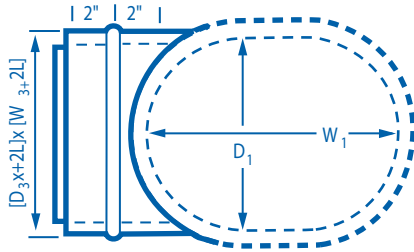
L = Liner thickness



Accessories

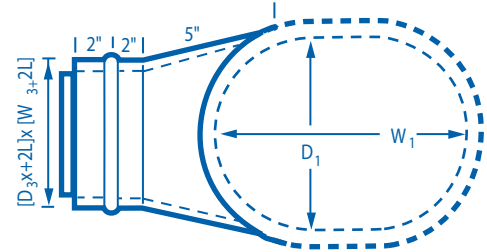
Shop Installed / Field Installed

Shop/Field Installed Tap



Standard flange is 1/2".
2" flange is also available.

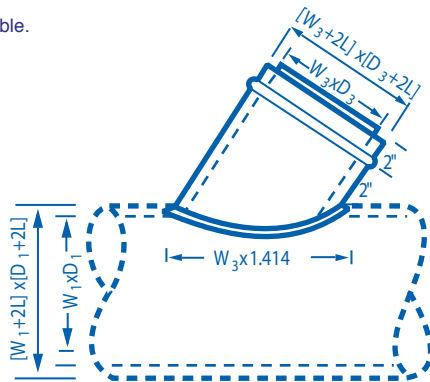
Shop/Field Installed Conical Tap



Standard flange is 1/2".
2" flange is also available.

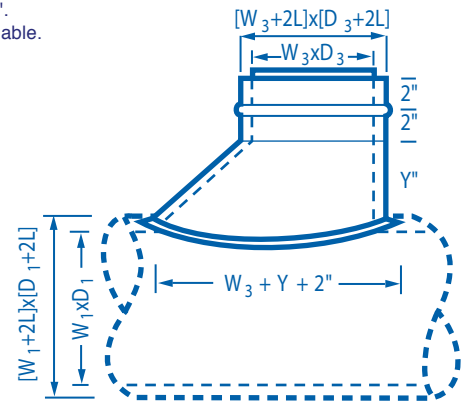
Shop/Field Installed Lateral Tap

Standard flange is 1/2".
2" flange is also available.

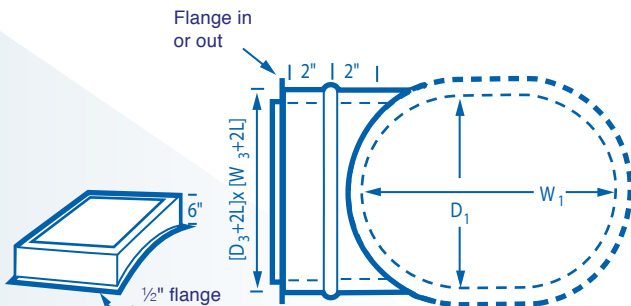


Shop/Field Installed Combination Tap

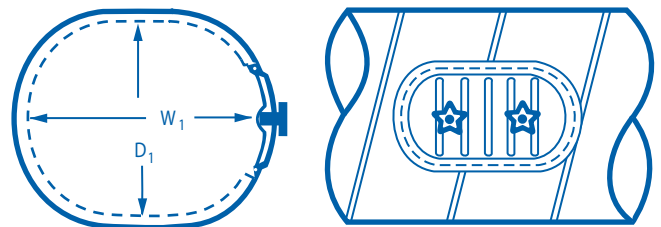
Standard flange is 1/2".
2" flange is also available.



Shop/Field Rectangle on Round



Field Installed Standard Door





Installation

DUAL WALL SLIP FIT

The inner and outer collars of fittings are sized to slip into, and should be used with, Corken Steel spiral duct. The inner collar projects beyond the outer collar. This permits the inner collar to be started into the inner liner of the spiral duct in a manner similar to the single wall technique. A tight fit is necessary to minimize friction loss and to promote proper sealing. Care should be taken during handling and installation to avoid dents and distortions that can cause improper fit or difficult installation.

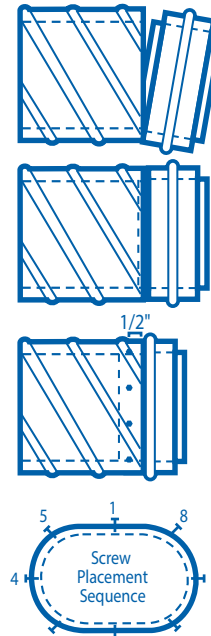
1. Bring the bottom of the inner fitting collar into the inner spiral duct at a slight angle.
2. Work the rest of the inner collar into the spiral duct.
3. When the inner collar is fully inserted, start the outer collar in the same manner.
4. Carefully work the rest of the collar into the spiral duct until approximately one inch of the collar remains exposed between the end of the spiral duct and the stop bead of the fitting collar. Do not use a screwdriver or knife to help make the connection. Apply pressure with the heel of your hand or with your fist to help slip the fitting into the duct.
5. Apply duct sealer to this exposed area.
6. Push the fitting into the spiral duct until the stop bead meets the edge of the spiral duct.
7. Fasten the fitting into the spiral duct with screws per the chart at right. The screws should be evenly spaced around the perimeter of the connection, approximately 1/2" back from the stop bead. Placement of the screws should be opposite of each other as demonstrated in the diagram.

FLANGE

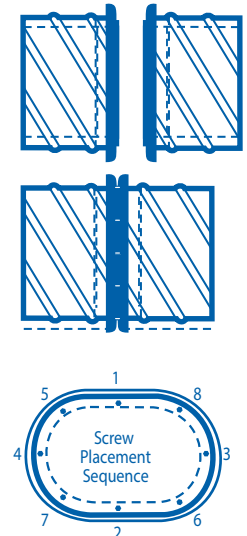
Flanges come factory-mounted on fittings and spiral duct. Flanges are standard for all duct over 71" major axis, but are available in smaller sizes. Dual wall flanges attach to both the outer wall and inner wall of the duct, eliminating the need to make an inner connection.

1. Place closed cell neoprene gasket on the face of one of the mating flanges.
2. Push the flanges together keeping the edges of the flanges aligned.
3. Clamp the flanges to help hold them in place.
4. Screw the flanges together with self-tapping screws per the chart at right. The screws should be evenly spaced around the perimeter of the connection. Placement of the screws should be opposite of each other as demonstrated in the diagram.

Installation of Slip Joint Connector



Installation of Flange Connector



Duct Perimeter Round Equiv.	# of Screws	
	Slip Fit	Flange
4"-9"	3	NA
10"	3	4
12"-16"	3	6
18"-20"	4	8
22"-26"	5	10
28"-30"	6	12
32"-36"	7	14
38"-42"	8	16
44"-46"	9	18
48"-52"	10	20
54"-56"	11	22
58"-60"	12	24
62"-66"	NA	26
68"-72"	NA	28
74"-76"	NA	30
78"-84"	NA	32